



solutions creator

Equilibratrici
Wheel balancers



WB 200
WB 200 M

**Available for all
our passenger tyre
changers range**

**NEW
CONCEPT**
2 UNITS IN 1
PATENTED





solutions creator

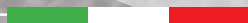
Equilibratrici
Wheel balancers



WB 200
WB 200 M

**Available for all
our passenger tyre
changers range**

**NEW
CONCEPT**
2 UNITS IN 1
PATENTED



Dotazione standard

Standard supply – Fourniture standard – Dotación estándar – Standardausstattung



Accessori a richiesta

Optional accessories – Accessoires en option – Accesorios opcionales – Optionales Zubehör



Distanziale 4° cono, 5° cono
4rd - 5th cone spacer
Entretoise 4^{ème} cône, 5^{ème} cône
Distanciador, 4º cono, 5º cono
Abstandstück, 4°Kegel, 5°Kegel



Flangia moto
Motorcycle flange
Plateau moto
Adaptador de moto
Motorradflansch



Flangia 3-4-5-fori
3-4-5 hole flange
Plateau à 3-4-5- trous
Adaptador 3-4-5 agujeros
Flansch mit 3-4-5 Bohrungen

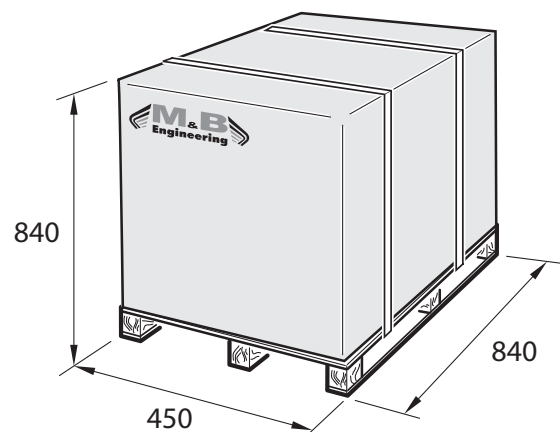
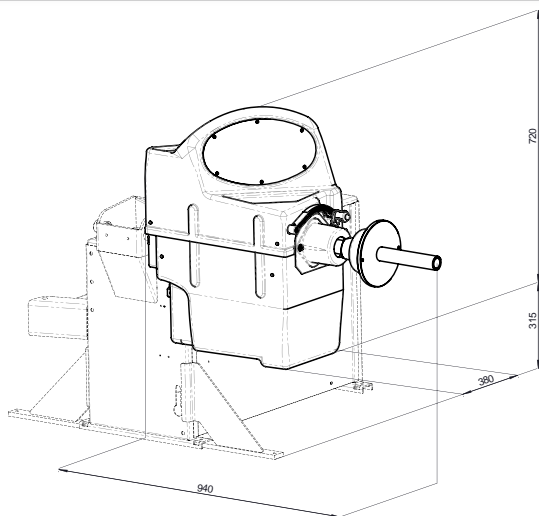
Dati tecnici

Technical data – Données techniques – Datos técnicos – Technische Daten

WB200	65 Kg	8" - 30"	2" - 20"	20"	1120mm - 44"	70 Kg	230/1/50-60 110/1/60	0
WB200 M	70 Kg							0,25

Ingombri macchina

Maximum overall dimensions – Dimensions d'encombrement – Dimensiones máquina – Maschinenabmessungen



IT08020000001747



Made in Correggio

ITALY

Tyre Equipment & Tools

M&B Engineering srl - Via della Costituzione, 49 - 42015 Correggio (RE) - Tel. +39 0522 644511 - Fax +39 0522 644512

www.mbenengineering.info / info@mb-re.it